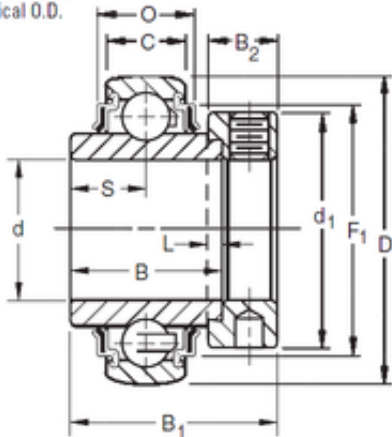




# Putzmeister Concrete Pump Parts

KRRB Two Seals  
Spherical O.D.



Bearing 2D drawings and 3D CAD models

Fuse for vehicle 16A 6x25mm 017412005  
Putzmeister Spare Parts

Bearing No.

Size	57.15x110x61.91 mm
Bore Diameter	57,15 mm
Outer Diameter	110 mm
Width	61,91 mm
d	57,15 mm
D	110 mm
B	61,91 mm
C	22 mm
P	26,01 mm
O	30,02 mm
d1	84,1 mm
B1	77,8 mm
B2	22,2 mm
L	6,4 mm
S	31 mm
F1	94,89 mm
Weight	1,715 Kg
Basic dynamic load rating (C)	58,5 kN