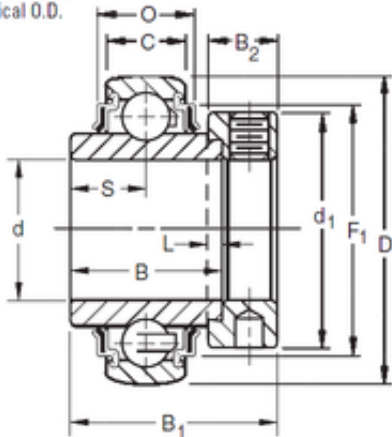




Putzmeister Concrete Pump Parts

KRRB Two Seals
Spherical O.D.



Bearing 2D drawings and 3D CAD models

GLYCERIN LUBRICANT 2L.METERING PUMP. E93627 Putzmeister Parts Catalog

Bearing No.

Size	57.15x110x61.91 mm
Bore Diameter	57,15 mm
Outer Diameter	110 mm
Width	61,91 mm
d	57,15 mm
D	110 mm
B	61,91 mm
C	22 mm
P	26,01 mm
O	30,02 mm
d1	84,1 mm
B1	77,8 mm
B2	22,2 mm
L	6,4 mm
S	31 mm
F1	94,89 mm
Weight	1,715 Kg
Basic dynamic load rating (C)	58,5 kN