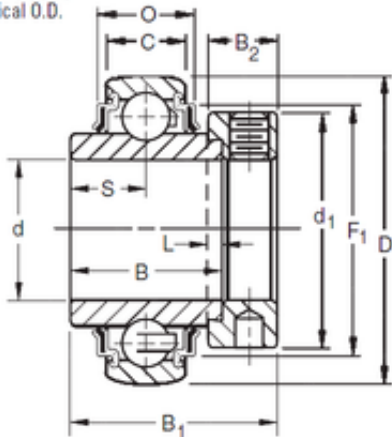




Putzmeister Concrete Pump Parts

KRRB Two Seals
Spherical O.D.



Bearing 2D drawings and 3D CAD models

Filter element 10 μ 222895006 Putzmeister Parts Catalog

Bearing No.

| | |
|-------------------------------|--------------------|
| Size | 57.15x110x61.91 mm |
| Bore Diameter | 57,15 mm |
| Outer Diameter | 110 mm |
| Width | 61,91 mm |
| d | 57,15 mm |
| D | 110 mm |
| B | 61,91 mm |
| C | 22 mm |
| P | 26,01 mm |
| O | 30,02 mm |
| d1 | 84,1 mm |
| B1 | 77,8 mm |
| B2 | 22,2 mm |
| L | 6,4 mm |
| S | 31 mm |
| F1 | 94,89 mm |
| Weight | 1,715 Kg |
| Basic dynamic load rating (C) | 58,5 kN |